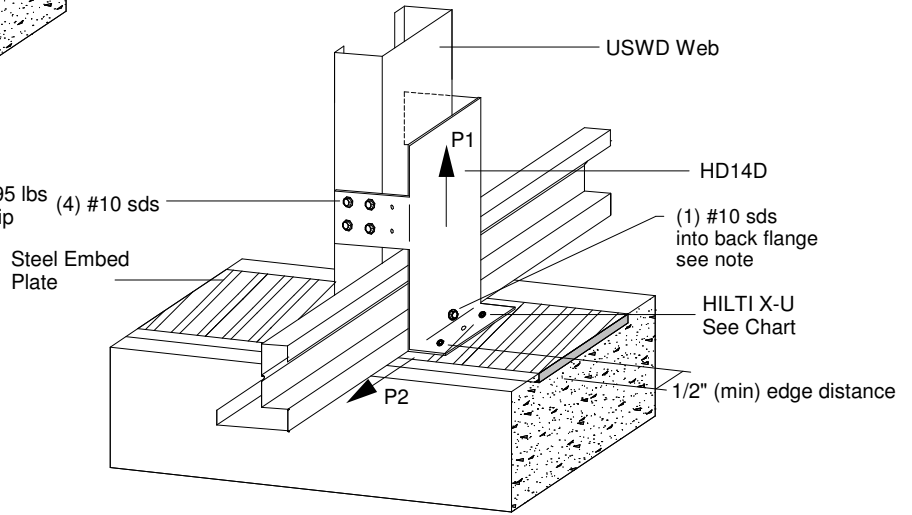


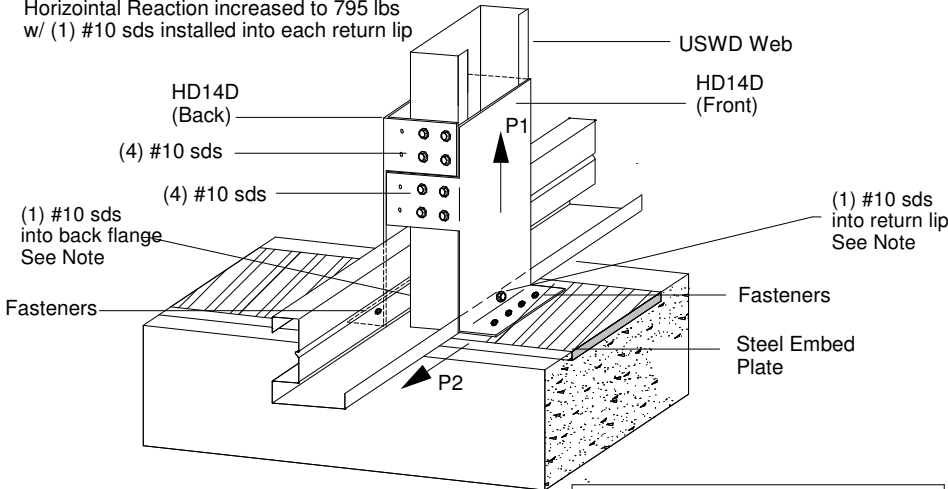
MAXIMUM REACTION (LBS)			
	Web/Block	X-U	UPLIFT P1
1224HD14D	035	2	1450
	046	2	1450
	057	2	1450
1226HD14D	035	3	1940
	046	3	2325
	057	3	2325

Values based on steel thickness of 1/4" - 1/2"

Horizontal Reaction, P2 = 155 lbs  
Horizontal Reaction increased to 395 lbs w/ (1) #10 sds installed into return lip



Horizontal Reaction, P2 = 310 lbs  
Horizontal Reaction increased to 795 lbs w/ (1) #10 sds installed into each return lip



MAXIMUM REACTION (LBS)			
	Web/Block	X-U	UPLIFT P1
(2) 1224HD14D	035	2	3100
		3	3860
(2) 1226HD14D	035	2	3100
		3	4650
	046	4	6200
		5	6400
057	5	6400	

Values based on steel thickness of 1/4" - 1/2"

- 1) Min. screw spacing & edge distance = 9/16".
- 2) Min. PAF spacing = 1", Min. Edge Dist = 1/2"
- 3) Min. bearing width = 3".
- 4) Refer to the Hilti Product Technical Guide for installation requirements and application limits.
- 5) Equivalent PAF's may be substituted.
- 6) Place PAF's thru or in line w/ holes in HD14D.
- 7) When this connection detail is applied to both plies of a 2-ply truss, the capacities double.
- 8) This detail does not indicate or imply that the depicted bearing is structurally adequate for the loads shown. Design of bearing is req'd.
- 9) Max. Reactions shown are non-concurrent.



METAL FRAMING, a division of MITE®

www.AEGISMETALFRAMING.COM

14515 N. Outer 40 Drive Suite 110

Chesterfield, MO 63017

Phone:866/902-3447 Fax:314/434-5234

## USD TRUSS TO BEARING CONNECTION 1224/1226HD14D - EMBED PLATE

DETAIL NO.

# D-EMB-2

CATEGORY

STANDARD DETAILS

DATE

3/3/09