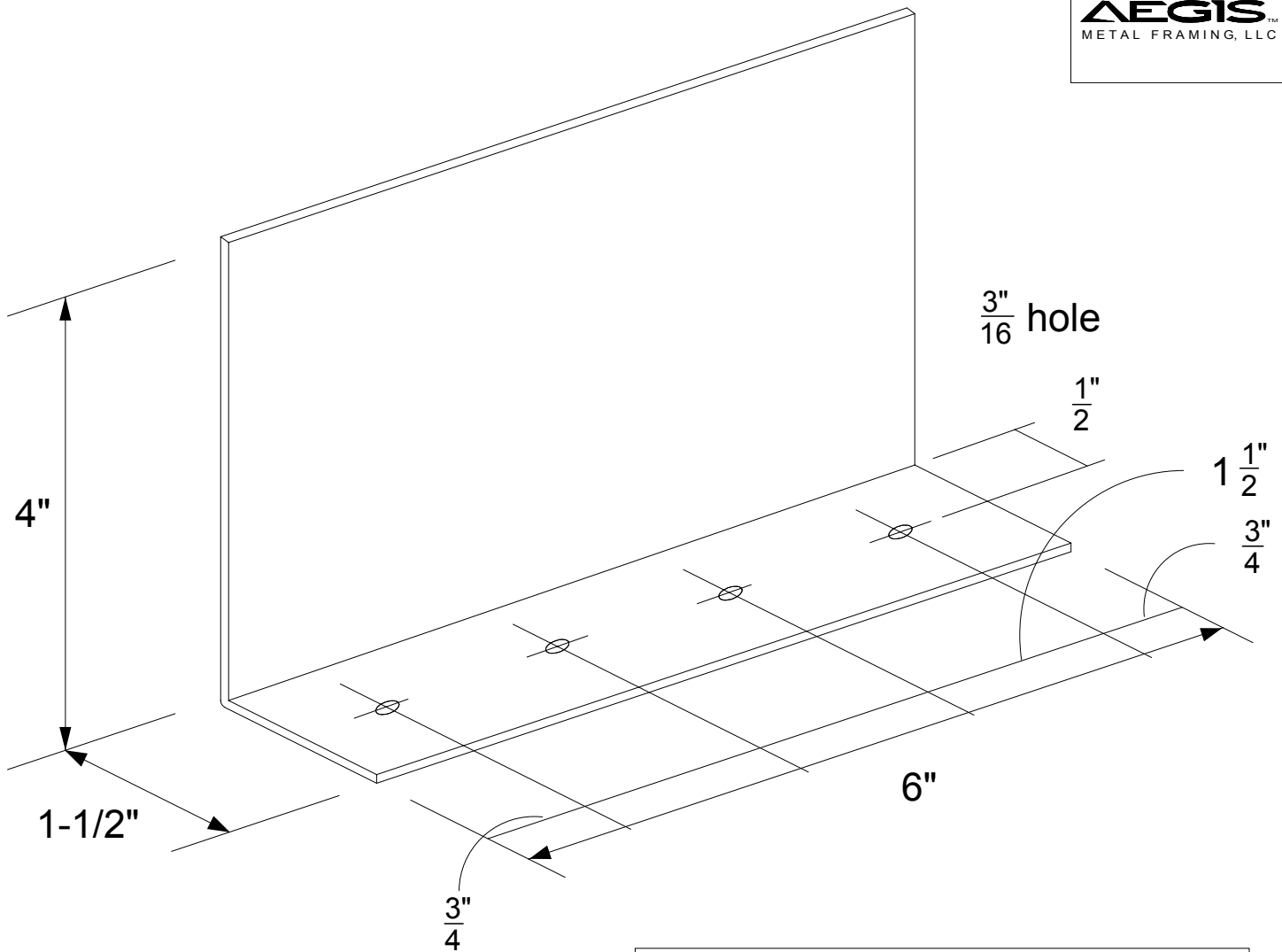


426HD14-1

Ultra-Span Hold Down Connector

Connector



# 426HD14 (14 GA)

Maximum Uplift  
Capacity = 2400 lbs \*

\*Attachment to support  
to be designed by  
qualified designer

## Example Connection

