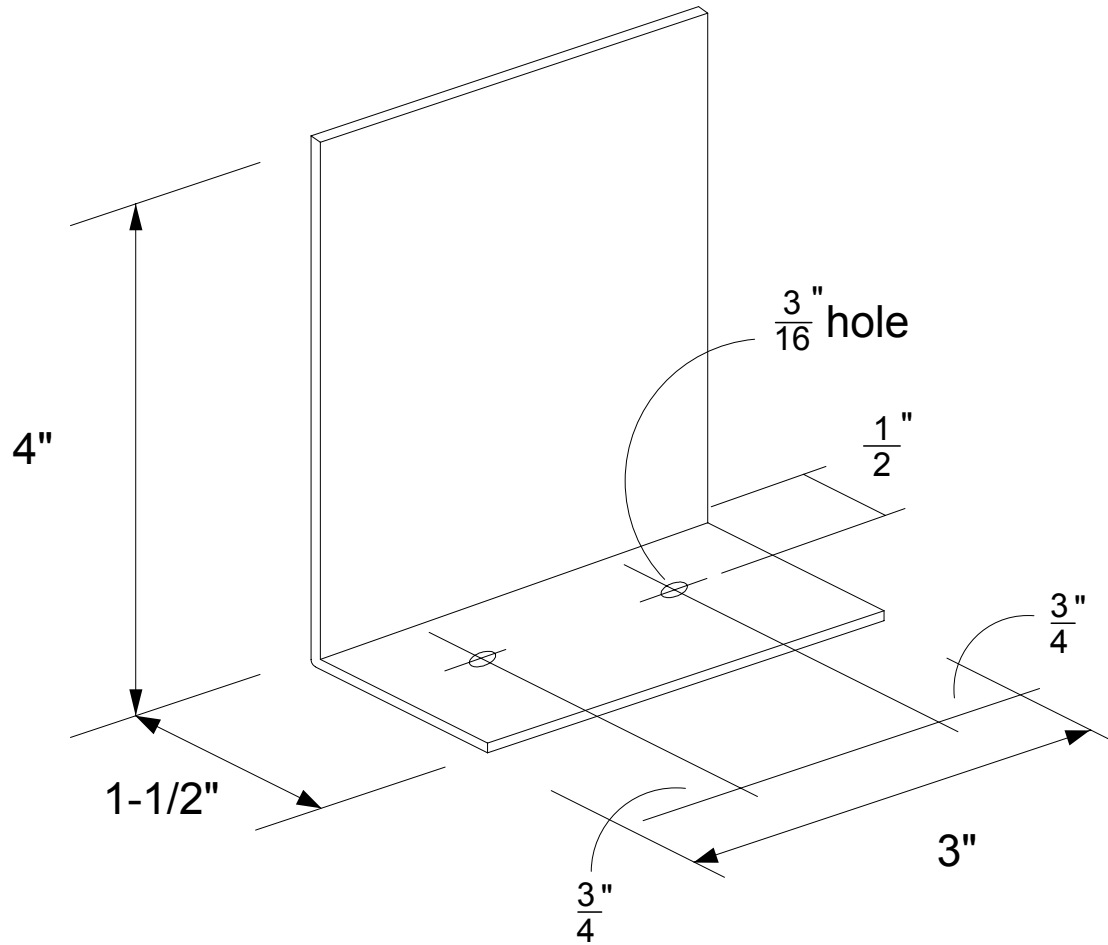


423HD14-1

Ultra-Span Hold Down Connector

Connector



423HD14 (14 GA)

Maximum Uplift
Capacity = 1200 lbs *

*Attachment to support
to be designed by
qualified designer

Example Connection

